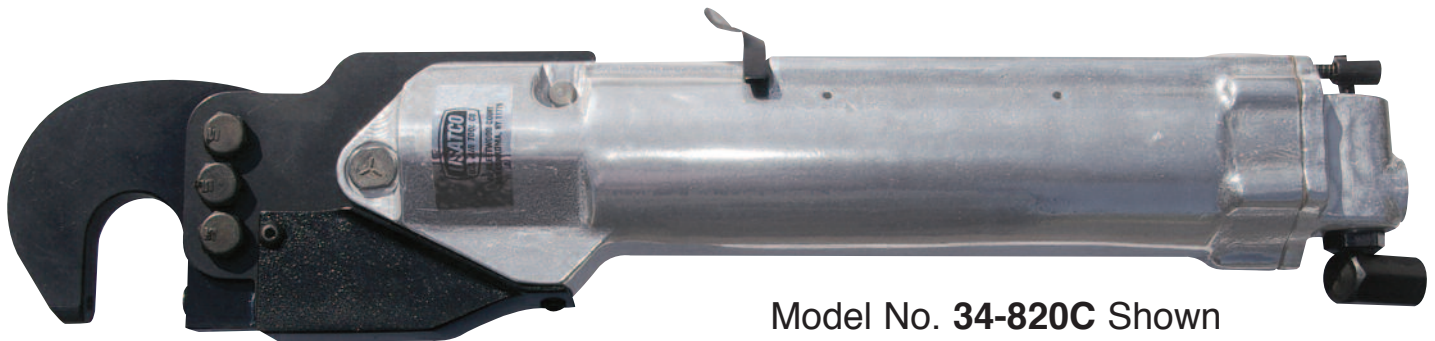


# 34-820C Tri-Cylinder C-Yoke Compression Riveter Parts List

---



Model No. **34-820C** Shown

- More power than our tandem series.
- Full squeeze force at only 90 PSI.
- Heavy-duty bearings & shafts.
- Throttle control allows precise rivet installation.
- Accepts standard 3/16" tooling.
- Includes swivel air inlet.
- Well balanced.
- Furnished with safety backend.

### **Please Note**

Due to very high squeezing pressures developed by this tool, use heavy duty bearings only. The use of standard bearings will cause damage to the tool and possible injury to the operator. Operate this tool at 90 PSI (6.2 bar).

Toll Free Nationwide & Canada: **800-645-8180**

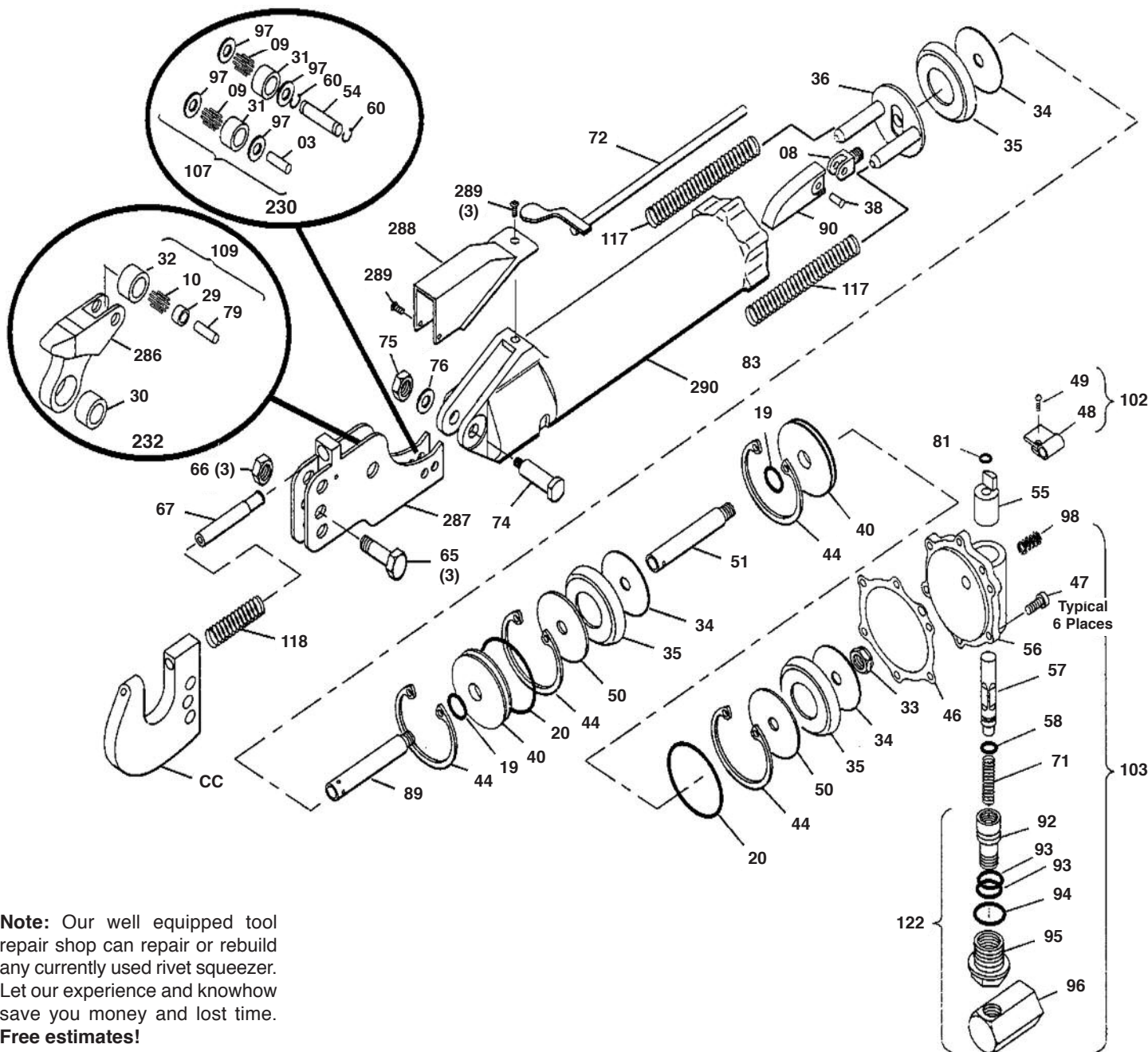
USATCO\U.S. AIR TOOL COMPANY, INC. [www.USATCO.COM](http://www.USATCO.COM) NEW YORK • CALIFORNIA

Rev0515

# 34-820C Tri-Cylinder C-Yoke Compression Riveter

Model Number	Capacity Cold Rivet Diameter		Standard Yoke Dimensions			Max. Force @ 90 PSI	Set Holding Plunger		Net Weight	Overall Length	Air Inlet Thread Size	Gap	Set Hole Size
	Alum.	Steel	Reach	Closed Height	C-Yoke Part No.		Max. Travel	Stroke @ Max. Force					
34-820C	1/4"	3/16"	1-1/2"	11/16"	38-C15	9000 lbs	9/16"	1/16"	8.50 lbs	18-3/4"	1/4"	1-1/4"	3/16"

**Note:** The table above details the included C-Yoke which is suitable for most applications. USATCO also offers many other C-Yokes designed for more specific applications, please inquire. USATCO can also fabricate custom yoke designs, please submit a blueprint or sample of your riveting problem for quote.



**Note:** Our well equipped tool repair shop can repair or rebuild any currently used rivet squeezer. Let our experience and knowhow save you money and lost time. **Free estimates!**

USATCO U.S. Air Tool Company, Inc.

Eastern Division .....60 Fleetwood Ct., Ronkonkoma, NY 11779-6907 tel: (631) 471-3300 fax: (631) 471-3308  
 Western Division .....1219 W. Mahalo Place, Rancho Dominguez, CA 90220-5446 tel: (310) 632-5400 fax: (310) 632-3900

Index Number	Part Number	Part Description	Quantity
03	38-03AA	Roller Shaft	1
08	38-08AA	Piston Fork	1
09	38-09AA	Needle Roller	40
10	38-10AA	Needle Roller End Bearing	40
19	38-19AA	"O" Ring	2
20	38-20AA	"O" Ring	2
29	38-29AA	Inner Race End Bearing	1
30	38-30AA	Pivot Bearing	1
31	38-31AA	Stationary Roller Plate	2
32	38-32AA	Outer Race End Bearing	1
33	38-33AA	Piston Rod Nut	1
34	38-34AA	Piston Leather Plate	3
35	38-35AA	Piston Leather	3
36	38-36AA	Piston	1
38	38-38AA	Wedge Spacer Rivet	1
40	38-40AA	Seperator	2
44	38-44AA	Retaining Ring	4
46	38-46AA	Cylinder Head Gasket	1
47	38-47AA	Allen Cap Screw	6
48	38-48AA	Lever Arm	1
49	38-49AA	Screw	1
50	38-50AA	Tandem Piston	2
51	38-51AA	Piston Rod	1
54	38-54AA	Roller Shaft	1
55	38-55AA	Throttle Valve Bushing	1
56	38-56AA	Cylinder Head	1
57	38-57AA	Throttle Valve	1
58	38-58AA	"O" Ring	1
60	38-60AA	Tru-Arc Retainer Ring	2
65	38-65AA	Yoke Bolt	3
66	38-66AA	Yoke Bolt Nut	3
67	38-67AA	Set Holder (3/16" set hole)	1
71	38-71AA	Throttle Valve Spring	1
72	38-72AA	Throttle Valve Lever	1
74	38-74AA	Bearing Bolt	1
75	38-75AA	Bearing Bolt Nut	1
76	38-76AA	Bearing Bolt Washer	1
79	38-79AA	End Roller Bearing Shaft	1
81	38-81AA	"O" Ring (brass bushing)	1
89	38-89AA	Piston Rod	1
90	38-90AA	Wedge Long "A"	1
92	38-92AA	Swivel	1
93	38-93AA	"O" Ring	2
94	38-94AA	"O" Ring	1
95	38-95AA	Swivel Nut	1
96	38-96AA	Elbow	1
97	38-97AA	Thrust Washer	4
98	38-98AA	Spring	1
102	38-102AA	Lever Arm Assembly (includes index 48 & 49)	1
107	38-107AA	Plate Roller Assembly (includes index 31, 09 & 97)	1
109	38-109AA	Moving Jaw End Bearing Ass'y (incl. index 32, 10 & 29)	1
117	38-117AA	Piston Return Spring	2

Index Number	Part Number	Part Description	Quantity
118	38-118AA	Spring	1
122	38-122AA	Swivel Assembly (includes index 92, 93, 94, 95 & 96)	1
230	38-230AA	Roller Assembly (includes index 107, 54, 03 & 60)	1
232	38-232AA	Set Holder Lever Assembly (includes index 109, 286 & 30)	1
286	38-286AA	Lever	1
287	38-287AA	Yoke Plate	1
288	38-288AA	Cover Guard	1
289	38-289AA	Guard Screw	1
290	38-290AA	Cylinder	1
CC	38-C15	C-Yoke, Standard	1

## Rivet Squeezer Set Kit



### Kit Includes:

4 Universal AN470 Sets (1/8" body length: 3/32", 1/8", 5/32" & 3/16"), 6 Universal AN470 Sets (1/4" body length: 1/16", 3/32", 1/8", 5/32", 3/16" & 1/4"), 4 Round AN430 Sets (1/16", 3/32", 1/8" & 5/32"), 1 Flat AN442 Set (1/4" body length: 3/32"), 4 Flush Sets with 3/8" Diameter (1 each: 1/8", 1/4", 3/8" & 1/2" body length), 4 Flush Sets with 1/2" Diameter (1 each: 1/8", 1/4", 3/8" & 1/2" body length), Soft Blank Set (1/4" body length), Shim Post Holder, 6 Spacer Shims (2 each: 1/64", 1/32" & 1/16"), Metal Kit Box

Part Number	Description
53-26	31 PC Set Assortment Kit