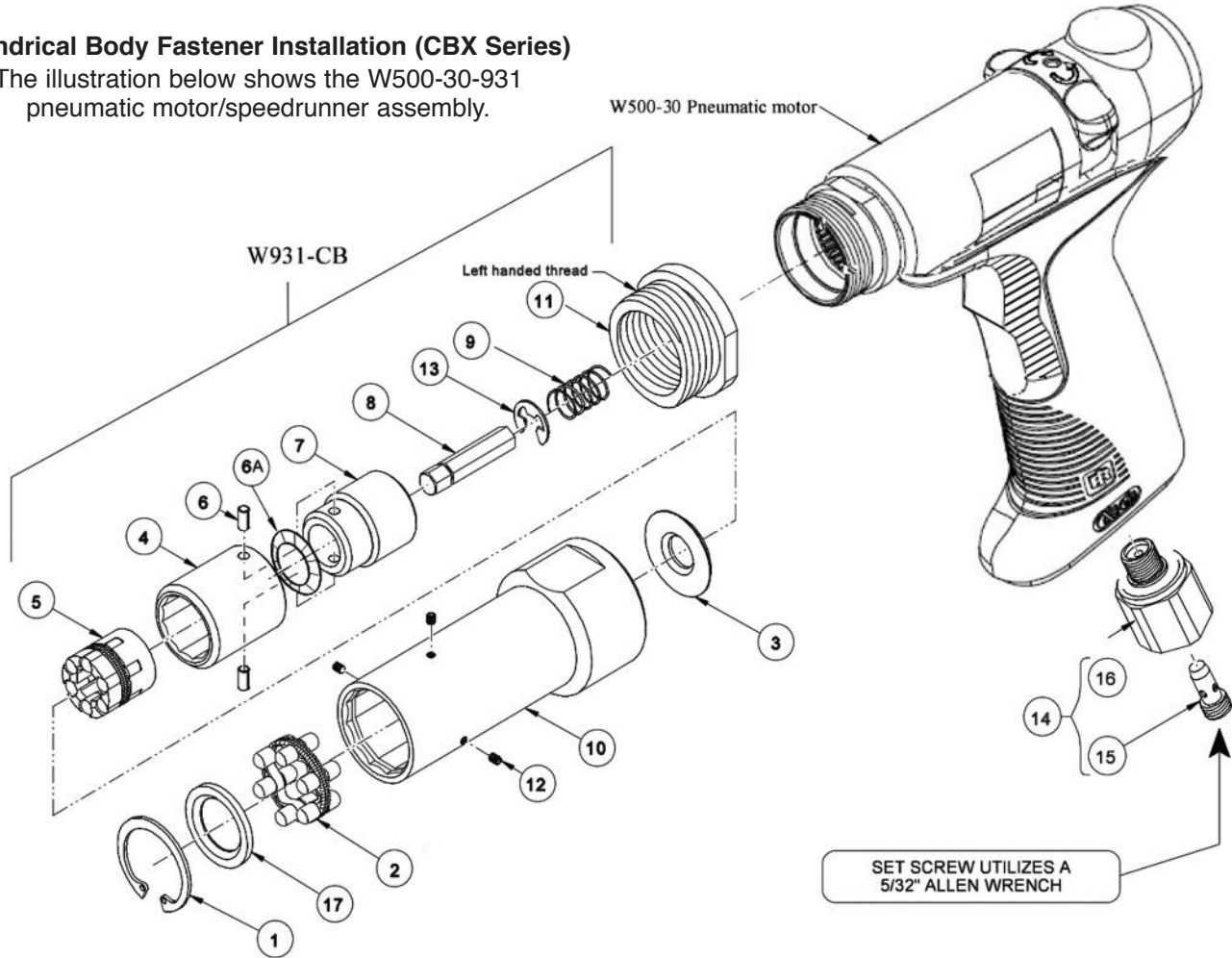




# W500-30-931-CB Speedrunner Assembly

## Cylindrical Body Fastener Installation (CBX Series)

The illustration below shows the W500-30-931 pneumatic motor/speedrunner assembly.



Index	Part Number	Description	Qty.
1	W921-CB-113	Retaining Ring	1
2	W931-CB-123	Body Roller Cage Assembly	1
3	W931-CB-109	Body Washer	1
4	W931-CB-108	Nut Roller Housing	1
5	W931-CB-136	Nut Roller Cage Assembly	1
6	W921-CB-111-2	Roll Pin	2
6A	W921-CB-104-TW	Thrust Washer	1
7	W921-CB-103-TW	Hex Shaft Adapter	1
8	W931-CB-101	Hex Pin	1

Index	Part Number	Description	Qty.
9	W931-CB-117	Compression Spring	1
10	W931-CB-102	Housing	1
11*	W931-CB-150	Housing Nut Adapter	1
12	W931-CB-118	#3-48 Socket Set Screw	3
13	W931-CB-119	Retaining Ring	1
14	W500-30-100	Air Flow Control Assembly	1
15	W500-28-100-002	Air Flow Control Screw	1
16	W500-30-100-004	Air Inlet Bushing	1
17	W931-CB-120	Washer	1

\*Note: Not included with basic W931-CB speedrunner.

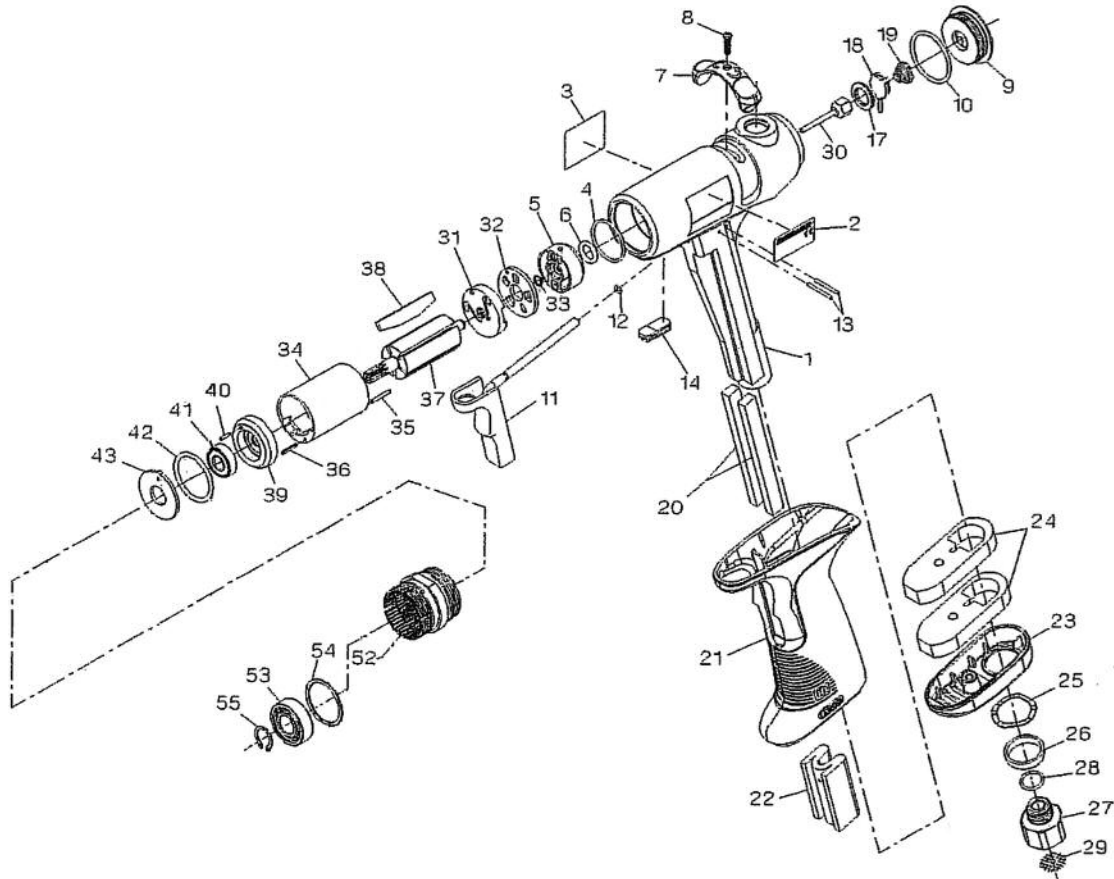
See next page for W500-30 motor parts and assembly.

Toll Free Nationwide & Canada: **800-645-8180**

USATCO\U.S. AIR TOOL COMPANY, INC. [www.USATCO.COM](http://www.USATCO.COM) NEW YORK • CALIFORNIA

Rev0415

# W500-30 Motor Breakdown & Parts List



Index	Part No.	Description	Qty.
1	W500-30-002	Motor Housing Assembly	1
2	W500-30-003	Nameplate	1
3	W500-30-004	Warning Label	1
4	W500-30-005	Housing "O" Ring	1
5	W500-30-006	Reverse Valve Assembly	1
6	W500-30-007	Reverse Valve Seal	1
7	W500-30-008	Reverse Lever	1
8	W500-30-009	Reverse Lever Screw	1
9	W500-30-010	Rear Housing Cap Assembly	1
10	W500-30-011	Rear Housing Cap Seal	1
11	W500-30-012	Trigger Assembly	1
12	W500-30-013	Trigger Shaft "O" Ring	1
13	W500-30-014	Trigger Retaining Pin	1
14	W500-30-015	Memory Chip Holder	1
17	W500-30-016	Throttle Valve Seat	1
18	W500-30-017	Throttle Valve	1
19	W500-30-018	Throttle Valve Spring	1
20	W500-30-019	Housing Muffler Element	2
—	W500-30-020	Housing Grip (small, optional)	1
21	W500-30-021	Housing Grip (large, standard)	1
22	W500-30-022	Grip Muffler Element	1
23	W500-30-023	Grip End Cap	1

Index	Part No.	Description	Qty.
24	W500-30-024	End Cap Muffler Element	2
25	W500-30-025	Wave Washer	1
26	W500-30-026	Inlet Bushing Bezel	1
27	W500-30-100-003	Inlet Bushing Assembly	1
30	W500-28-100-002	Air Flow Control Screw	1
31	W500-30-027	Rear End Plate (incl. rear rotor bearing)	1
32	W500-30-028	Rear End Plate Face Plate	1
33	W500-30-029	Rear End Plate Assembly Retainer	1
34	W500-30-030	Cylinder Assembly	1
35	W500-30-031	Cylinder Rear Alignment Pin	1
36	W500-30-032	Cylinder Front Alignment Pin	1
37	W500-30-033	Rotor	1
38	W500-30-034	Vane Packet (set of five vanes)	1
39	W500-30-035	Front End Plate Assembly	1
40	W500-30-036	End Plate Alignment Pin	1
41	W500-30-037	Front Rotor Bearing	1
42	W500-30-038	Motor Seal	1
43	W500-30-039	Motor Clamp Washer	1
52	W500-30-040	Gear Case	1
53	W500-30-041	Spindle Bearing	1
54	W500-30-042	Spindle Bearing Seat	1
55	W500-30-043	Spindle Bearing Retainer	1

USATCO U.S. Air Tool Company, Inc.

Eastern Division .....60 Fleetwood Ct., Ronkonkoma, NY 11779-6907 tel: (631) 471-3300 fax: (631) 471-3308

Western Division .....1219 W. Mahalo Place, Rancho Dominguez, CA 90220-5446 tel: (310) 632-5400 fax: (310) 632-3900